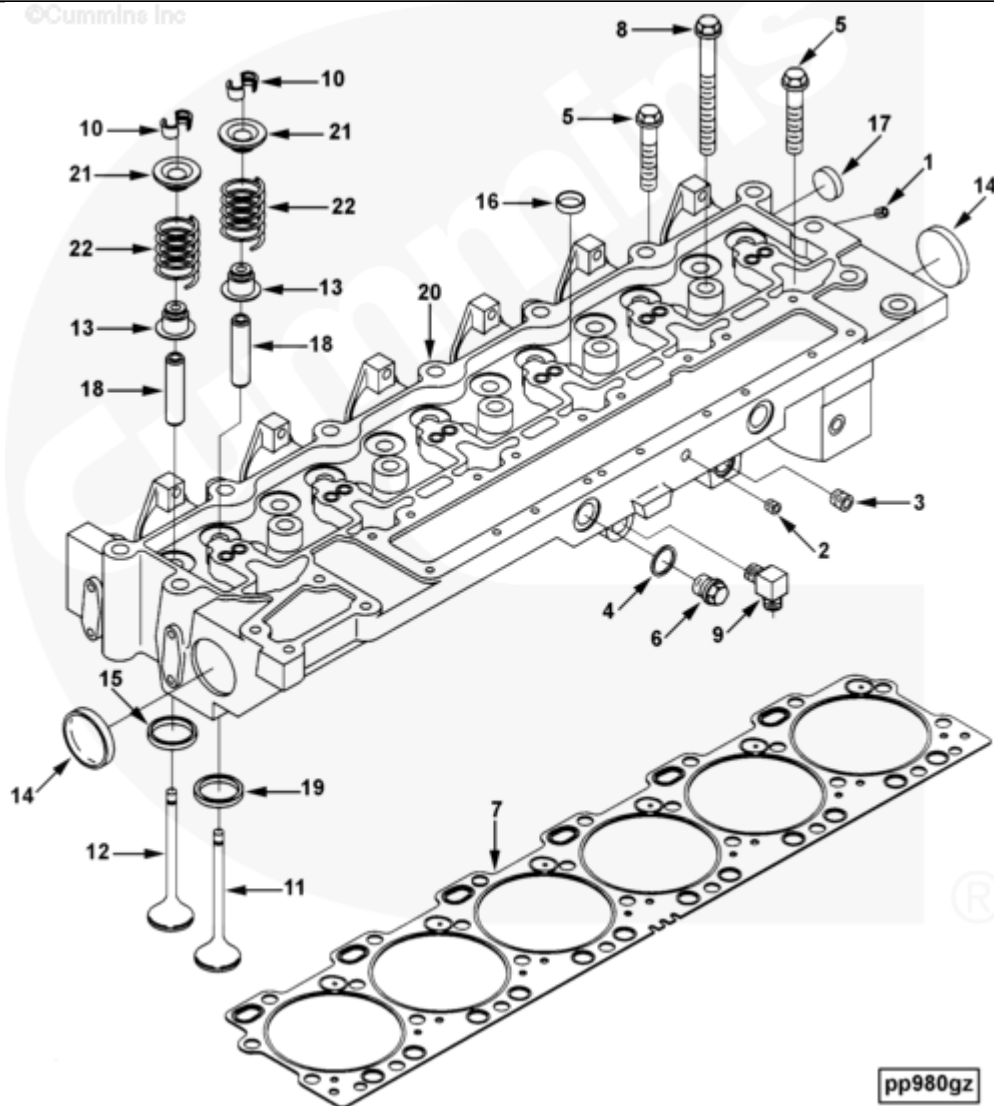




## Parts Catalog - Option Detail

Electronic Parts Catalog - Option Detail				
Option	Group	Graphic	Film Card	Date
PP9830	01.04	pp980gz	Z	02-DEC-02
<b>Engines</b>	6C8.3, C GAS PLUS CM556, G8.3, G8.3 CM558, GTA8.3 CM558, ISC CM2150, ISC CM554, ISC CM850, ISC8.3 CM2250, ISC8.3 G CM2180 C101, ISL CM2150, ISL CM554, ISL CM850, ISL G CM2180, ISL8.9 CM2150 L110, ISL8.9 CM2880 L112, ISL9 CM2150 SN, ISL9 CM2250, ISL9 CM2350 L101, ISL9 CM2350 L111, ISLE4 CM850, L GAS PLUS CM556, L8.9, L8.9 L121, L8.9G CMOH2.0 L125B, L9 CM2350 L116B, L9 CM2350 L119B, L9 CM2350 L120C, L9 CM2350 L123B, L9.3 L105, L9.5 L117, L9N CM2380 L124B, QSC8.3 CM2250, QSC8.3 CM2880 C102, QSC8.3 CM554, QSC8.3 CM850(CM2850), QSL9 CM2250, QSL9 CM2250 L115, QSL9 CM2350 L102, QSL9 CM2350 L107, QSL9 CM2350 L118, QSL9 CM2350 L122, QSL9 CM554, QSL9 CM850(CM2850), QSL9 G CM558, QSL9 M CM2250 L106, QSL9.3 CM2880 L113			



[SMALL](#) | [MEDIUM](#) | [LARGE](#)

Cart	Ref No	Part Number	Part Description	Required	Remarks

View My Cart

		PP9830	Cylinder Head		<a href="#">Cylinder Head...(More)</a>
					Engine Family: C Series
					Engine Design Phase: Current
					Product
					Cylinder: 6
					Swirl: Low
					MFLD Pressure to Lift EXH
					Valve (PSI): 30
					Air Compressor Inlet
					Coupling: Without
					Notched Head: No
					Cylinder Head Material: Cast
					Iron
					Cylinder Head Valve Material:
					Premium
					Exhaust Manifold Type: Dry
					Valve Seat Inserts: No
					Valve Bridge Scalloping: No
					Compression Brake Mounting
					Hardware: No
					Aspiration:
					- Charge Air Cooled;
					- Jacket Water Aftercooled;
					- Naturally Aspirated;
					- Turbocharged
					NOTE: When Air Compressor is
					Used, Elbow Hose Coupling
					3924138 Needs to be Used in
					Place of 3912900 Expansion

					Plug
<input type="checkbox"/>	1	<a href="#">3008464</a>	Pipe Plug	1	1/16 NPT
<input type="checkbox"/>	2	<a href="#">3008466</a>	Pipe Plug	1	1/4 NPT.
<input type="checkbox"/>	3	<a href="#">3008468</a>	Pipe Plug	1	1/2 NPT.
<input type="checkbox"/>	4	<a href="#">3902425</a>	Sealing Washer	1	M22
<input type="checkbox"/>	5	<a href="#">3917729</a>	Fracture Resistant Screw	12	M14 X 2.00 X 80.
<input type="checkbox"/>	6	<a href="#">3924148</a>	Threaded Plug	2	M22 x 1.50 x 14
<input type="checkbox"/>	7	<a href="#">3938267</a>	Cylinder Head Gasket	1	
<input type="checkbox"/>	8	<a href="#">3960043</a>	Fracture Resistant Screw	14	M14 X 2.00 X 160.
<input type="checkbox"/>		<a href="#">4089290</a>	Cylinder Head	1	
<input type="checkbox"/>	9	<a href="#">3924138</a>	Elbow Hose Coupling	1	Replaces 3912900 Plug When
					Air Compressor is Used
		<a href="#">3991152</a>	Cylinder Head	1	Sold In Higher Level Assy/Kit
<input type="checkbox"/>	10	<a href="#">3901177</a>	Valve Collet	24	
	11	<a href="#">3921444</a>	Exhaust Valve	6	Sold In Higher Level Assy/Kit
	12	<a href="#">3924492</a>	Intake Valve	6	Sold In Higher Level Assy/Kit
<input type="checkbox"/>	13	<a href="#">3927642</a>	Valve Stem Seal	12	
<input type="checkbox"/>		<a href="#">3936180</a>	Cylinder Head	1	Sold In Higher Level Assy/Kit
<input type="checkbox"/>	14	<a href="#">3900965</a>	Expansion Plug	2	58.06 mm
	15	<a href="#">3908830</a>	Valve Insert	6	Standard
<input type="checkbox"/>	16	<a href="#">3914035</a>	Expansion Plug	5	
<input type="checkbox"/>	17	<a href="#">3920443</a>	Expansion Plug	1	
<input type="checkbox"/>	18	<a href="#">3925863</a>	Valve Stem Guide	12	
<input type="checkbox"/>	19	<a href="#">3928174</a>	Valve Insert	6	Exhaust
	20	<a href="#">3936154</a>	Cylinder Head	1	
<input type="checkbox"/>	21	<a href="#">3972757</a>	Valve Spring Retainer	12	
<input type="checkbox"/>	22	<a href="#">3991085</a>	Valve Spring	12	